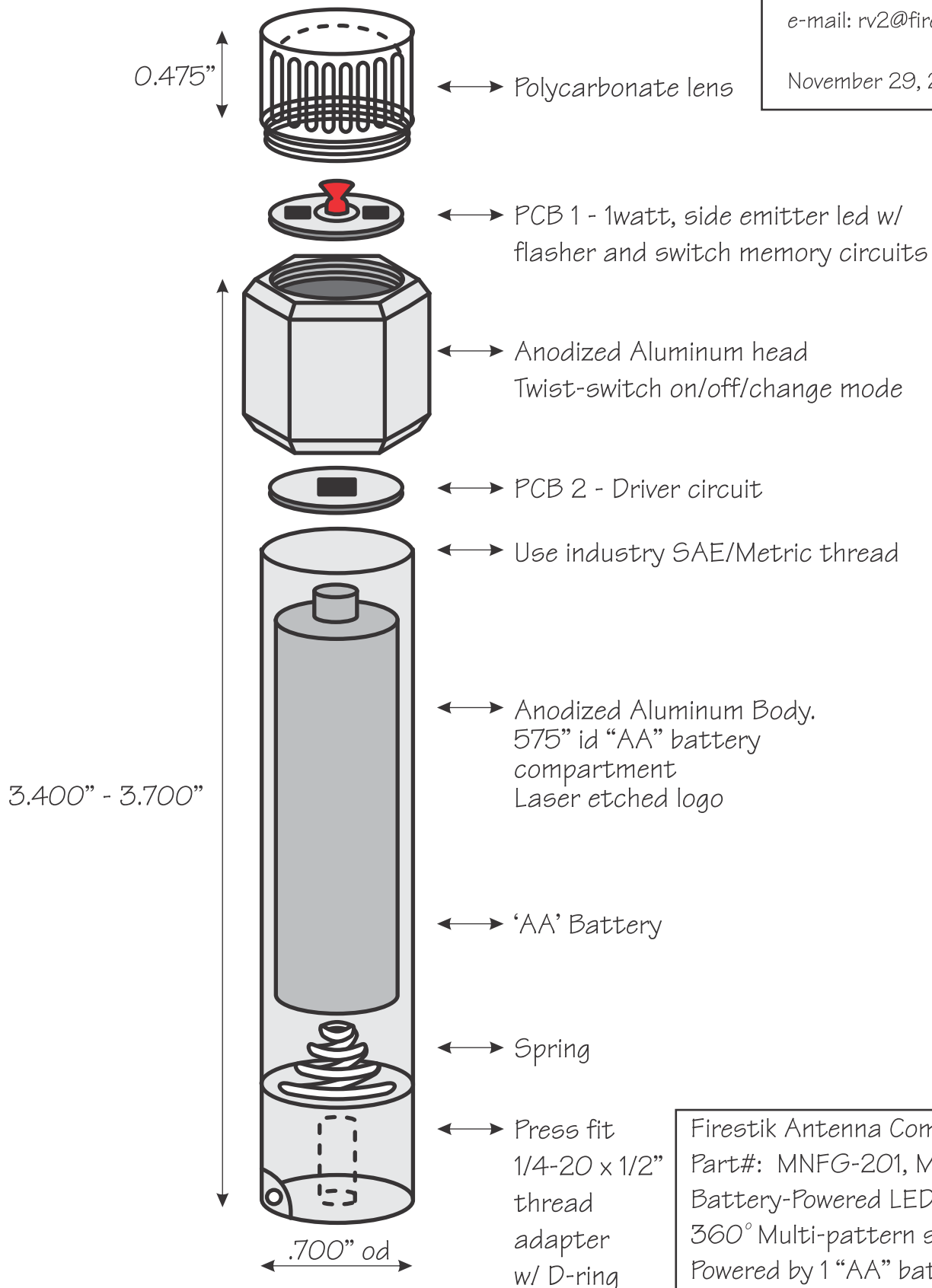


Firestik Antenna Company
1769 W University Dr, #182
Tempe, AZ 85281
602-273-7151
e-mail: rv2@firestik.com

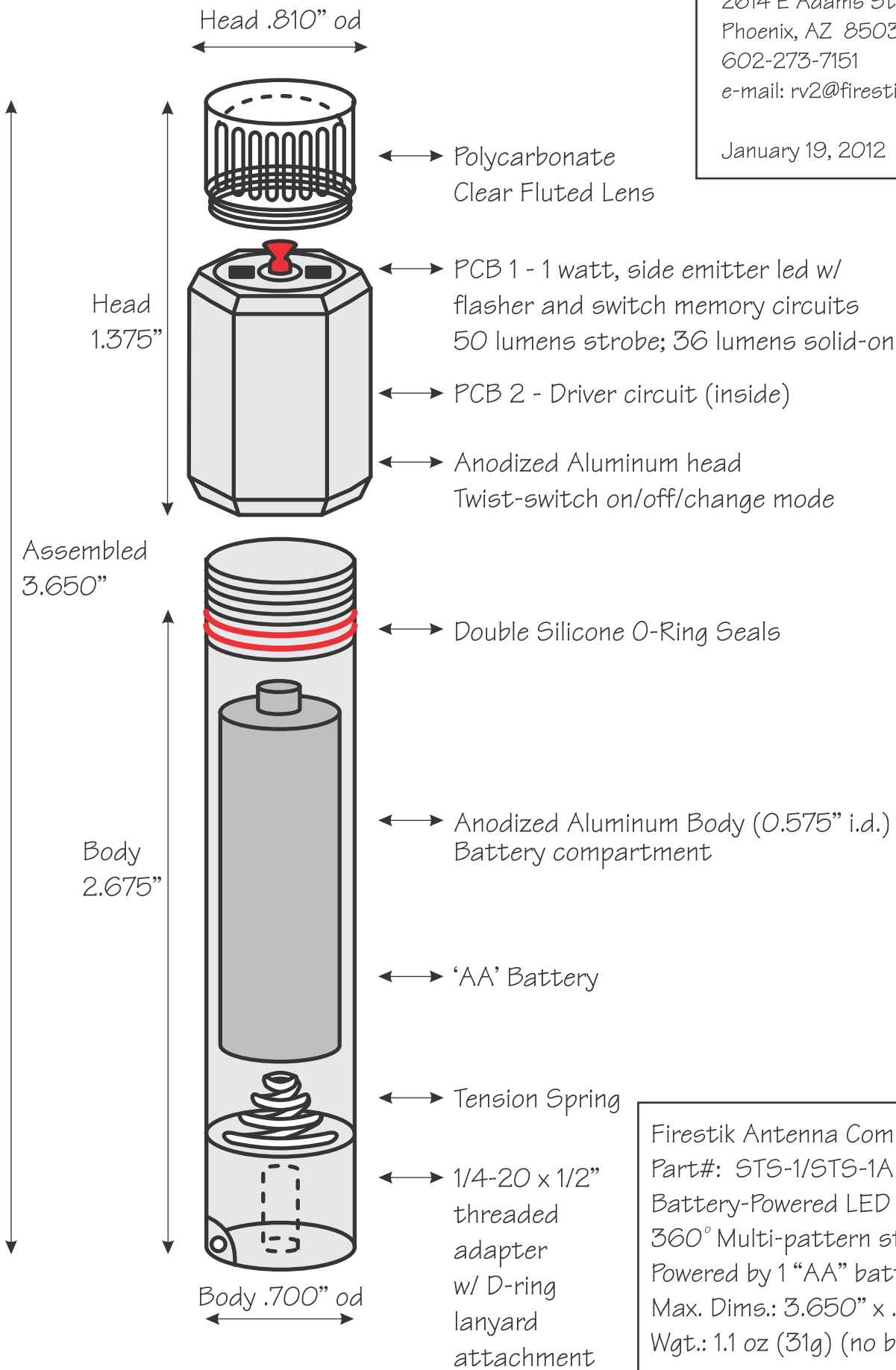
November 29, 2023



Firestik Antenna Company
Part#: MNFG-201, MNFG-211
Battery-Powered LED Beacon
360° Multi-pattern strobe
Powered by 1 "AA" battery

Firestik Antenna Company
2614 E Adams St
Phoenix, AZ 85034
602-273-7151
e-mail: rv2@firestik.com

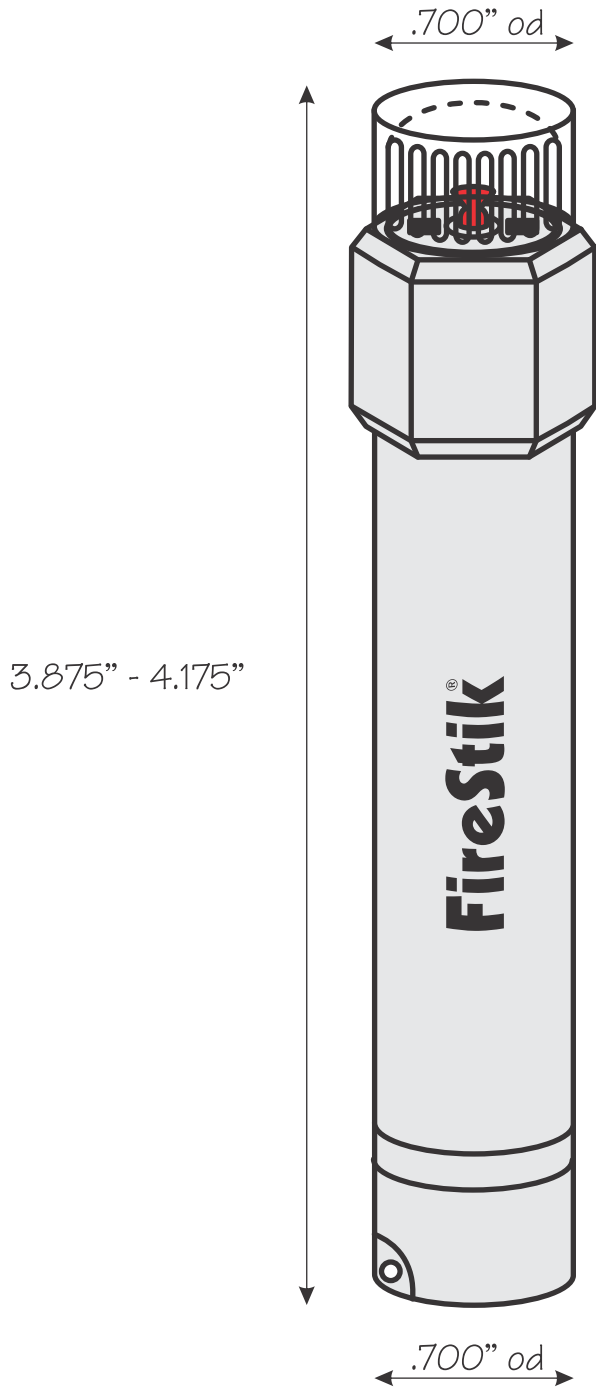
January 19, 2012



Firestik Antenna Company
Part#: STS-1/STS-1A
Battery-Powered LED Beacon
360° Multi-pattern strobe
Powered by 1 "AA" battery
Max. Dims.: 3.650" x .810"
Wgt.: 1.1 oz (31g) (no battery)

Firestik Antenna Company
2614 E Adams St
Phoenix, AZ 85034
602-273-7151
e-mail: rv2@firestik.com

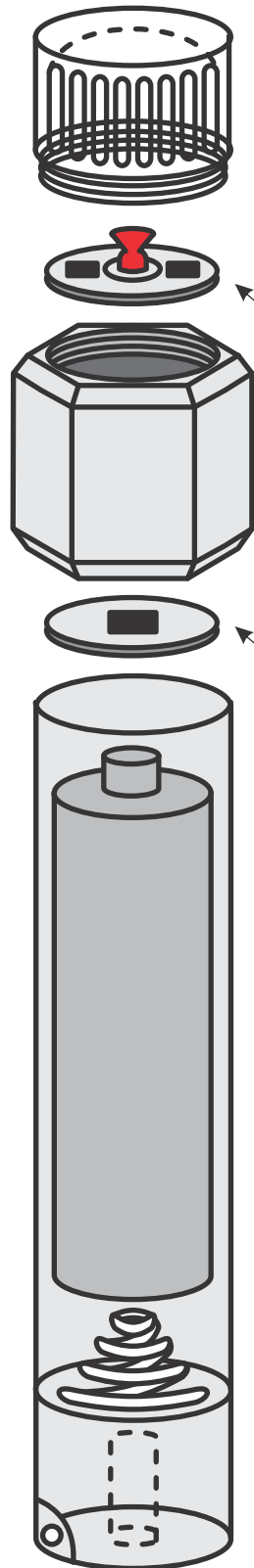
February 2 2009



Firestik Antenna Company
Part#: MNFG-201, MNFG-202
Battery-Powered LED Beacon
360° Multi-pattern strobe
Powered by 1 "AA" battery

Firestik Antenna Company
2614 E Adams St
Phoenix, AZ 85034
602-273-7151
e-mail: rv2@firestik.com

February 2 2009



Flasher PCB

Basic microcontroller, 8 bit.
Fits within I.D. of body.
Memory capable of up to 6 flash
patterns with changing duty cycle.
i.e. multi-pulse, warble,
Memory circuit to operate twist
on/off feature.

Driver PCB

Fits within I.D. of body.
Operates 100% down to 0.7v.
Provides up to 1 amp output.
Efficiency minimum 80%.

Performance specs

8+ hour minimum run-time
Up to 80hours run-time for
slow strobe mode.
Minimum 4 strobe modes

Firestik Antenna Company
Part#: MNFG-201, MNFG-202
Battery-Powered LED Beacon
360° Multi-pattern strobe
Powered by 1 "AA" battery

Firestik Vinyl Dip Mold

